

86HS155 12Nm Servo Stepper Driver



CNC4YOU Ltd.

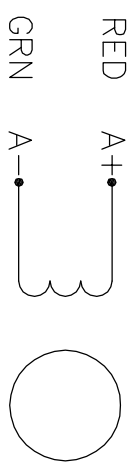
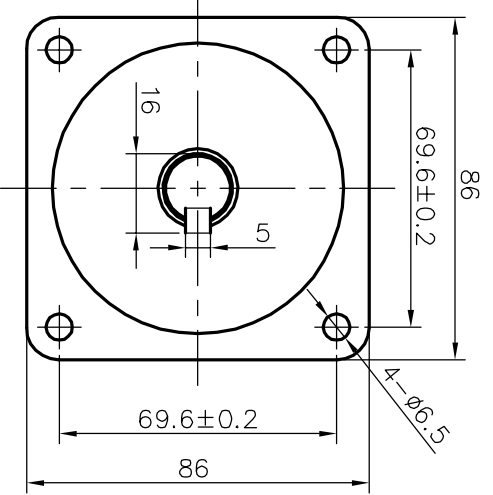
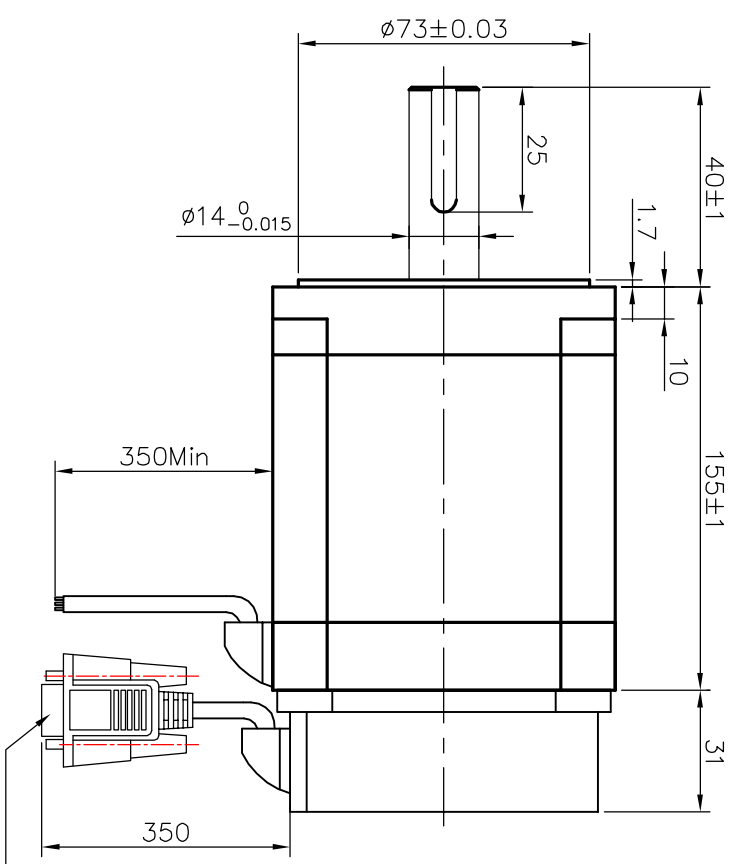
01908 315011

sales@cnc4you.co.uk

**INFORMATION IS SPECIFIC TO OUR PRODUCTS AND CAN CAUSE
DAMAGE IF USED WITH NONE COMPATIBLE PRODUCTS SO PLEASE
CHECK WITH YOUR SUPPLIER FOR COMPATIBILITY**

These drawings are supplied as a guide no guarantees are implied or given.
Caution when wiring and check with a qualified professional if unsure.
Documentation will be updated amended at the discretion of CNC4YOU Ltd.

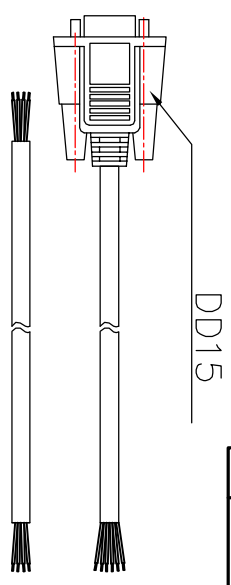
Dimension:
Unit=mm



Wiring Diagram:

Encoder Wiring Diagram:

| | | |
|------|------------------------|--------|
| EA+ | Encoder A phase input+ | BLACK |
| EA- | Encoder A phase input- | BLUE |
| EB+ | Encoder B phase input+ | YELLOW |
| EB- | Encoder B phase input- | GREEN |
| Vcc | Encoder Voltage(+5V) | RED |
| EGND | Encoder Grand(0V) | WHITE |



Specifications:

| | | | |
|------------------|----------|------|---------|
| Phase | 2 | | Comment |
| Step Angle | 1.8 | deg. | |
| Voltage | 2.64 | V | |
| Current | 6 | A | |
| Resistance | 0.44±10% | Ω | |
| Inductance | 3.8±20% | mH | |
| Holding Torque | 12 | N.m | |
| Insulation Class | B | | |
| Mass | 5.6 | kg | |

CNCAYOU Ltd.

© CNCAYOU LTD All Rights Reserved

Tel: 01908 315011

| | | | | | | | |
|----------------|------|-----|-------|------|--------|---------------|---------------|
| REV. | QTY. | No. | SIG. | DATE | Title: | Specification | 86H5S155-6004 |
| DESIGN | | | STD. | | | | |
| CHECK | | | | | | | |
| PROC. | | | APPR. | | | | |
| PAGE: OF PAGES | | | | | | | |