

# 86HS115 8Nm Servo Stepper Driver



**CNC4YOU Ltd.**

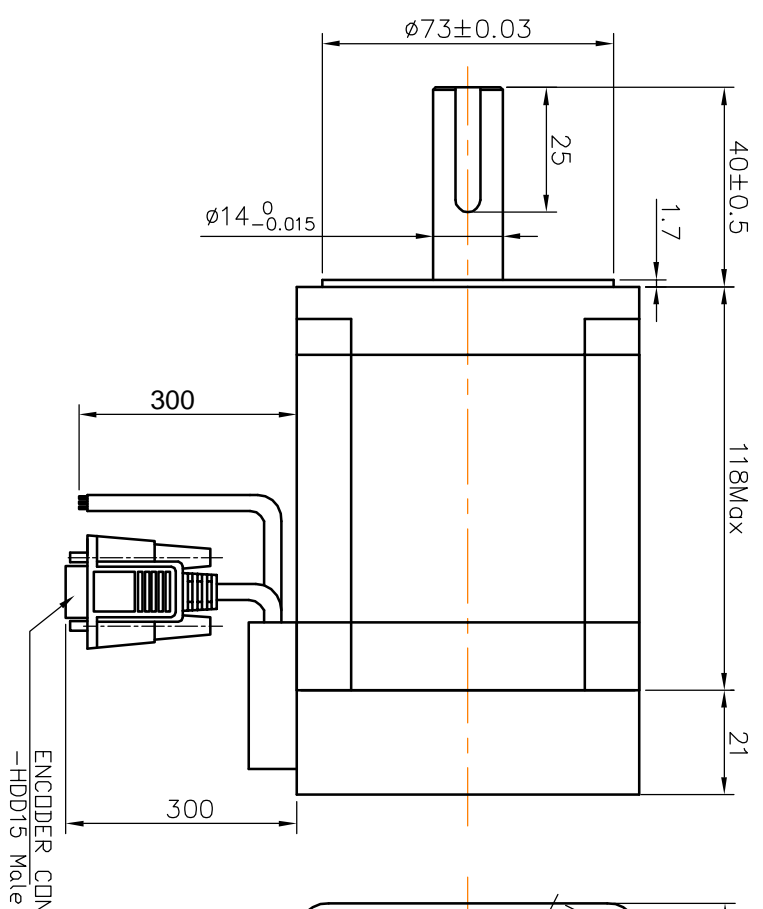
**01908 315011**

**sales@cnc4you.co.uk**

**INFORMATION IS SPECIFIC TO OUR PRODUCTS AND CAN CAUSE  
DAMAGE IF USED WITH NONE COMPATIBLE PRODUCTS SO PLEASE  
CHECK WITH YOUR SUPPLIER FOR COMPATIBILITY**

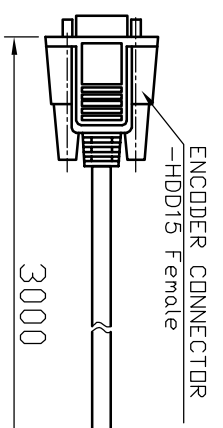
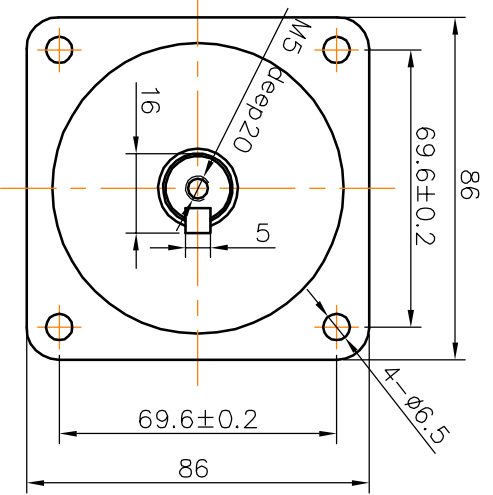
These drawings are supplied as a guide no guarantees are implied or given.  
Caution when wiring and check with a qualified professional if unsure.  
Documentation will be updated amended at the discretion of CNC4YOU Ltd.

Dimension:  
Unit=mm

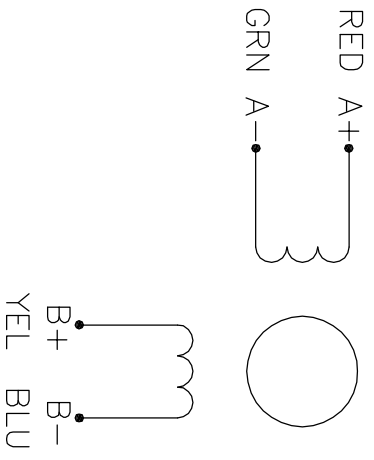


Specifications:

Phase	2	Comment 备注
Step Angle	1.8	deg.
Voltage	2.64	V
Current	6	A
Resistance	0.44±10%	Ω
Inductance	3.7±20%	mH
Holding Torque(Max)	8	N.m
Insulation Class	B	



Wiring Diagram:



Encoder Wiring Diagram:

EA+	Encoder A phase input+	BLACK
EA-	Encoder A phase input-	BLUE
EB+	Encoder B phase input+	YELLOW
EB-	Encoder B phase input-	GREEN
Vcc	Encoder Voltage(+5V)	RED
EGND	Encoder Grand(0V)	WHITE

**CNCAYOU Ltd.**

© CNCAYOU LTD All Rights Reserved

Tel: 01908 315011

REV.	QTY.	No.	STD.	SIG.	DATE	Title:	
DESIGN						Specification	
CHECK							
PROC.							
PAGE: OF PAGES						86HS118-6004BLED-0.35M	