

BK15 MACHINING



CNC4YOU Ltd.

01908 315011

sales@cnc4you.co.uk

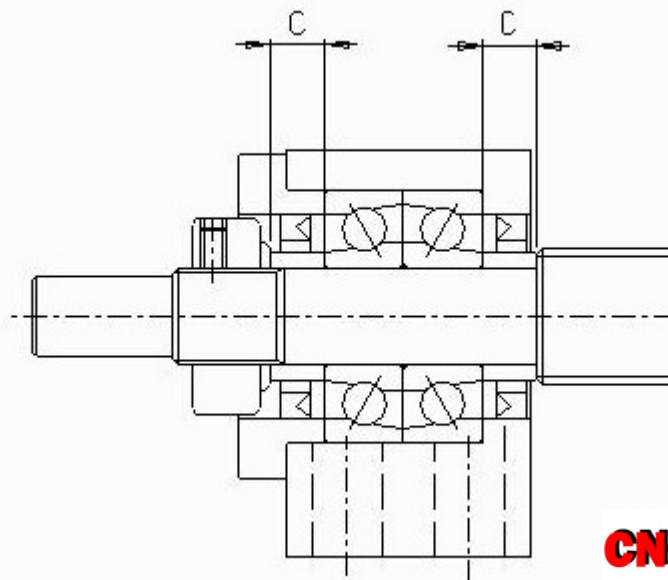
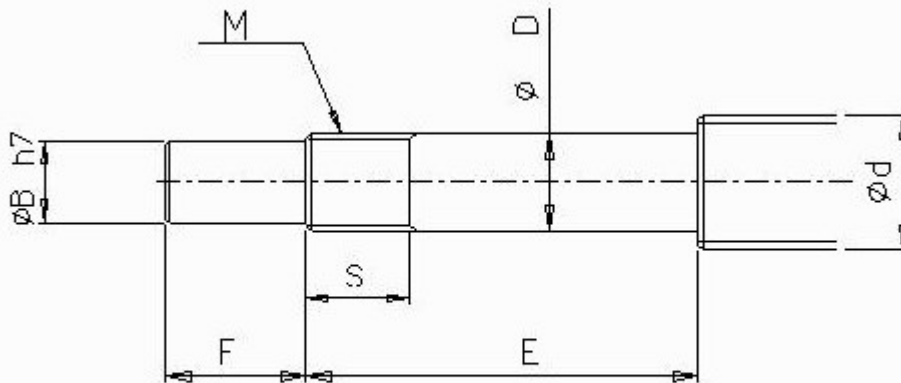
**INFORMATION IS SPECIFIC TO OUR PRODUCTS AND CAN CAUSE
DAMAGE IF USED WITH NONE COMPATIBLE PRODUCTS SO PLEASE
CHECK WITH YOUR SUPPLIER FOR COMPATIBILITY**

These drawings are supplied as a guide no guarantees are implied or given.
Caution when wiring and check with a qualified professional if unsure.
Documentation will be updated amended at the discretion of CNC4YOU Ltd.

CNC4YOU.co.uk

Recommended shaft end shape(Fixed-side) for Support Units types BK

Support unit model No.	Ballscrew shaft OD	Shaft support portion OD		Metric screw thread			Metric screw thread		
				B	E	F	M	S	C
Type BK	d	D		B	E	F	M	S	C
BK15	20	15		12	40	20	M15x1	12	6



type BK

CNC4YOU Ltd.