

# BK12 and FK12 MACHINING



**CNC4YOU Ltd.**

**01908 315011**

**sales@cnc4you.co.uk**

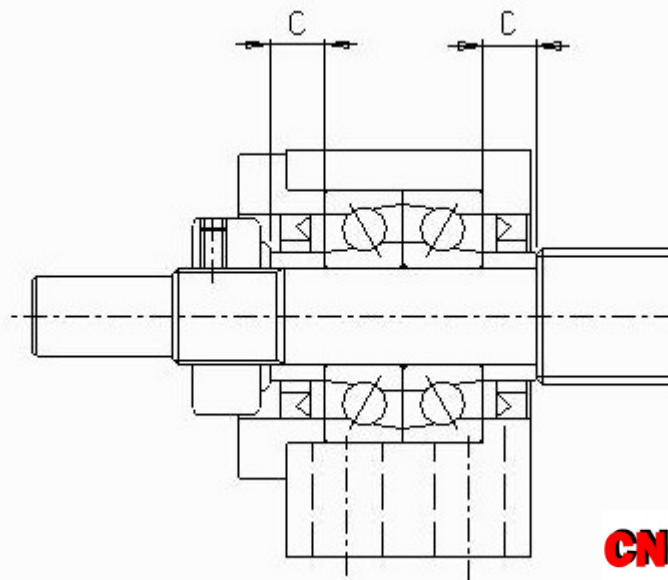
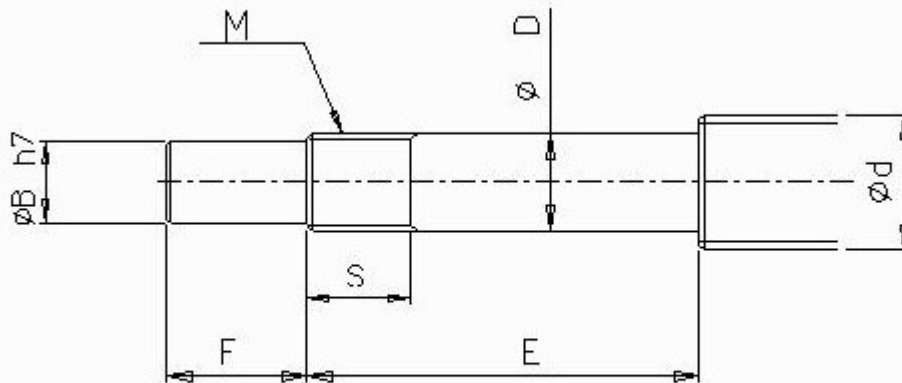
**INFORMATION IS SPECIFIC TO OUR PRODUCTS AND CAN CAUSE  
DAMAGE IF USED WITH NONE COMPATIBLE PRODUCTS SO PLEASE  
CHECK WITH YOUR SUPPLIER FOR COMPATIBILITY**

These drawings are supplied as a guide no guarantees are implied or given.  
Caution when wiring and check with a qualified professional if unsure.  
Documentation will be updated amended at the discretion of CNC4YOU Ltd.

CNC4YOU.co.uk

Recommended shaft end shape( Fixed-side) for Support Units types BK

Support unit model No.	Ball screw shaft OD	Shaft support portion OD				Metric screw thread		Metric screw thread
		B	E	F	M	S	C	
Type BK	d	D	B	E	F	M	S	C
BK12	16	12	10	36	15	M12x1	12	5.5



BK型  
type BK

**CNC4YOU Ltd.**