

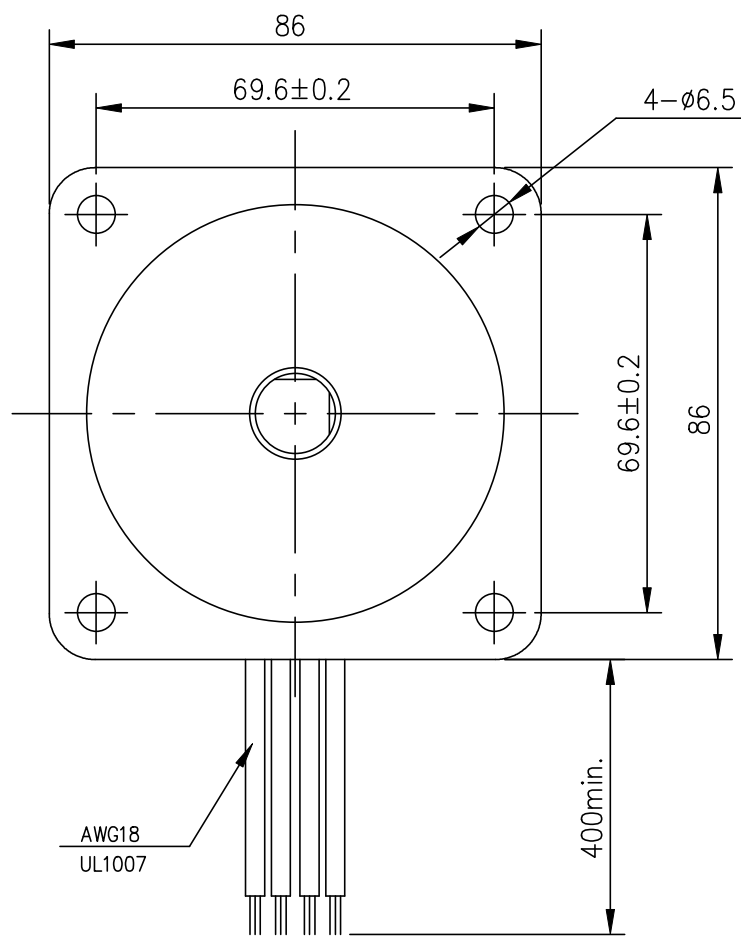
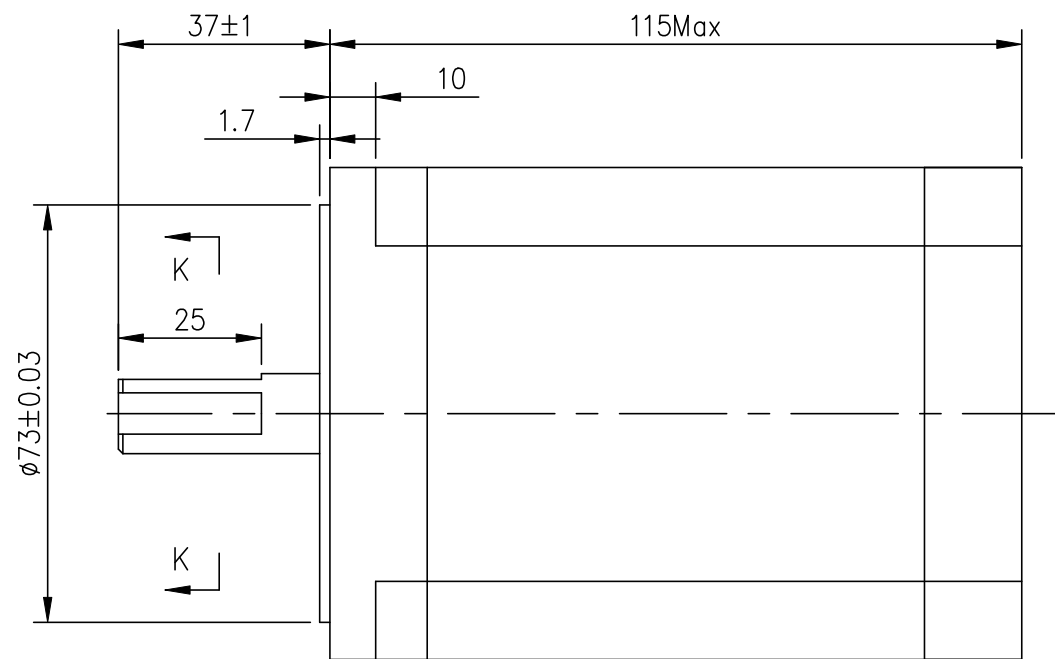
8.7Nm Stepper Motor



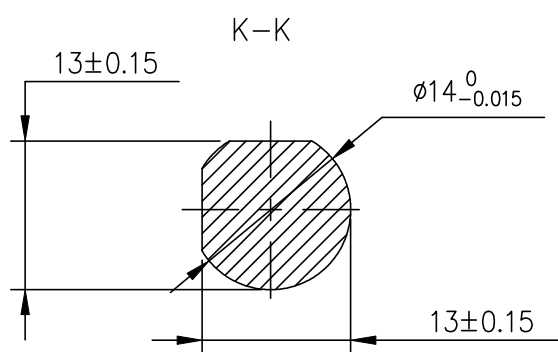
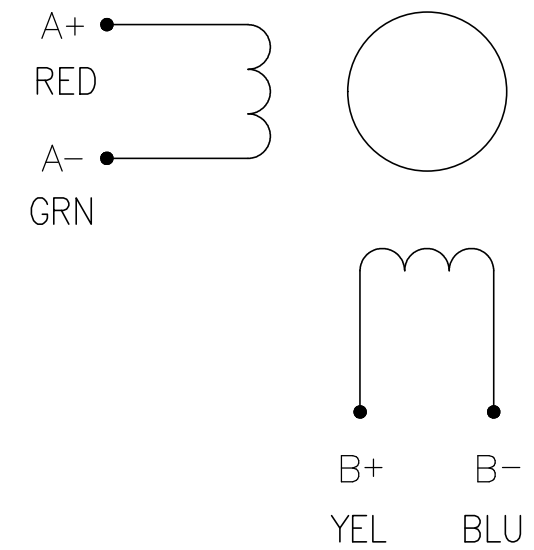
**INFORMATION IS SPECIFIC TO OUR PRODUCTS AND CAN CAUSE
DAMAGE IF USED WITH NONE COMPATIBLE PRODUCTS SO PLEASE
CHECK WITH YOUR SUPPLIER FOR COMPATIBILITY**

These drawings are supplied as a guide no guarantees are implied or given.
Caution when wiring and check with a qualified professional if unsure.
Documentation will be updated amended at the discretion of CNC4YOU Ltd.

Dimension:
Unit=mm



Wiring Diagram:



Specifications:

Phase	2		Comment
Step Angle	1.8	deg.	
Voltage	3	V	
Current	6	A	
Resistance	0.5±10%	Ω	
Inductance	5.8±20%	mH	
Holding Torque	8.7	N.m	
Insulation Class	B		
Mass	3.8	kg	

CNC4YOU Ltd.

Tel: 01908 315011

© CNC4YOU LTD All Rights Reserved

						Title:			
						Specification			
								86HS115-6004	